

EASE (BF100H)

SILENCE

FEELING

SENSE

WHISPER

SPECTRA NOVA

CADRA NOVA

Room-sealed built-in gas-fireplace with "Flat Fibre Burner Technology"

40010560
39-04

[Installation guide and user manual]

 **faber**

1 Index:

1	Index:	3
2	Introduction	5
3	Safety and general information	6
3.1	General safety	6
4	Installation requirements	8
4.1	Builders opening and surround	8
4.2	Flue requirements.....	10
4.3	Tables for determining the right flue restrictor.....	12
4.3.1	Terminal position	14
4.3.2	Using an existing chimney as air inlet	17
5	Instructions for installation	18
5.1	Gas Connection	18
5.2	Preparing the appliances	18
5.2.1	Preparing the Sense and the Ease	18
5.2.2	Preparing the Widescreen and MV200	19
5.2.3	Preparing the Spectra Nova and Cadra Nova	21
5.3	Placing the appliance	22
5.4	Placing the log set	23
5.4.1	Embers	23
5.4.2	Placing the log set Spectra Nova, Cadra Nova and Whisper.....	24
5.4.3	Placing the log set Feeling, Silence, Sense and Ease.....	24
5.4.4	Placing the pebble set Ease	25
6	Installation of the flue	26
6.1	Connection with use of concentric duct material.....	26
6.2	Connection onto an existing chimney.....	26
6.3	Remote control (when applicable)	28
6.3.1	Installation.....	28
7	Commissioning (functional checks)	30
7.1	Check pilot ignition	30
7.2	Functional burner check	30
7.3	Functional balanced flue check.....	31
7.4	Check setting pressure	31
8	Handing over (final check and customer briefing)	32
9	Servicing	33
9.1	Routine annual servicing	33
9.1.1	Cleaning the glass	33
9.1.2	Cleaning the combustion chamber and burner.....	34
9.1.3	Burner tray assembly.....	34
9.1.4	Pilot/thermocouple assembly.....	35
9.1.5	Gas control block	35
9.1.6	Combustion test.....	35
9.2	Propane conversion	36
9.3	List of spare parts.....	36
9.4	Technical Specifications	37
User Manual	38	
10	Safety instructions for the user	39
11	Controlling the appliance	41
11.1	Lighting the fire	41
11.2	To light	42
11.3	To extinguish	42
11.4	Remote Control (when applicable)	43
11.4.1	To light	43

11.4.2	To extinguish.....	44
11.4.3	Setting the right transmission code	44
11.4.4	Changing batteries	45
12	Cleaning and service instructions	46
13	Disposal of packaging and appliance	47

2 Introduction

Note: these instructions should be read carefully and retained for future reference. Please leave these instructions with the user.

This guide is concerning the following types of appliances:

- Widescreen interior: Types Silence and Feeling
- MV100/MV200 interior: Type Spectra Nova and Whisper
- MV150 interior: Type Cadra Nova

Special features:

- Realistic flame and glow effect because of the "Flat Fibre Burner" technology.
- Room sealed appliance, inlet and outlet are led to the outside using a natural draught concentric pipe system (100 mm/150 mm) (no power fan required). No additional ventilation required.
- Air supply and flue-gases go to outside atmosphere through wall or roof. A maximum horizontal extension of 6 meters is possible.
- Remote Control option on all appliances.
- Meets the essential requirements of the European Gas Appliance Directive (GAD) and carries the CE mark.

3 *Safety and general information*

- Before installation, ensure that the local distribution conditions (identification of the type of gas and pressure) and the adjustment of the appliance are compatible.
- This gas appliance is factory set and shall not be adjusted by the installer.
- This appliance does not contain any component manufactured from asbestos or any asbestos related products.
- The pilot and flame sensing device fitted to this fire is also a safety device. If for any reason any part of the pilot assembly is to be replaced the entire assembly including the pilot burner, thermocouple, electrode and injector must be exchanged complete for a pilot assembly from the original manufacturer only.

Ventilation

This appliance is room-sealed and doesn't require purpose provided ventilation.

3.1 General safety

It is the law in the UK that **all** gas appliances, are installed by a competent person in accordance with the Gas Safety (Installation and Use) Regulations (as amended), the relevant British Standards for Installation work, Building Regulations, Codes of Practice and the manufacturers instructions.

The installation should also be carried out in accordance with the following where relevant:

- BS5871 Part1
- BS5440 Parts 1 & 2
- BS1251.
- Building Regulations Document J (as applicable).

Building Regulations and Standards issued as relevant by the Department of the Environment or the Scottish Development Department.

In the Republic of Ireland installation should be carried out in accordance with IS813, ICP3, IS327, Building Regulations, Codes of Practice, the manufacturers instructions and any other rules in force.

Failure to comply with the above could leave the installer liable to prosecution and invalidate the appliance warranty.

Safety instructions for the user: see chapter 10.

4 *Installation requirements*

Note:

Since the appliance is a source of heat, circulation of air occurs. Therefore it is of importance that you do not use the appliance shortly after a renovation of the home. Because of the natural circulation of air, moist and volatile components from paint, building materials, carpet etc. will be attracted. These components can settle themselves down onto cold surfaces in the form of soot.

As on all heat producing appliances, soft furnishings such as blown vinyl wallpaper placed too near to the appliance may become scorched or discoloured. This should be born in mind when installing the appliance.

4.1 Builders opening and surround

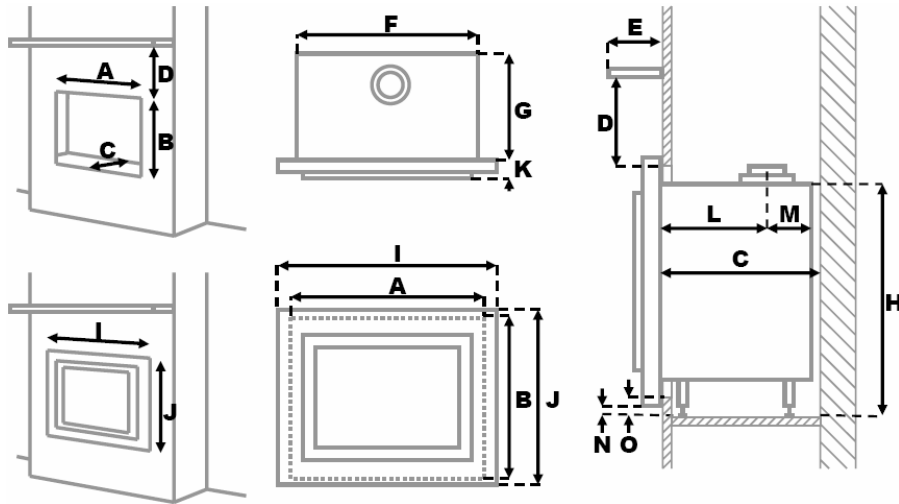
The appliance can be installed in the following situations:

In a non-combustible fireplace or builders opening. This could be either an existing builders opening or a new made prefab builders opening. For the measurements, see figure 1 and index.

Although the appliance is tested for installation without a hearth, the appliance must not stand on combustible materials or carpets. If the appliance is placed on a combustible floor then a fibrelux or similar heatproof board of 12 mm thickness should be placed under it. Any under floor vents or openings within the builders opening should be sealed off.

Do not place the lintel, surround or marble stone directly onto the appliance. If possible, apply a lintel made of cement or something similar.

Insulate the appliance with a ceramic blanket (25 mm). See also chapter 4: Installation instructions. Preferred choice for insulation is unbound insulation wool (at 1000 °C gives no smell).



	Builders opening (mm)	Feeling	Sense	Silence	Ease (BF100H)	Whisper	Spectra Nova	Cadra Nova	Misty
Builders opening (mm)									
A	Opening width	960	960	960	920	780	780	680	710
B	Opening height	649	649	649	590	705	698	798	890
C	Opening depth (min.)	385	385	385	397	430	430	430	370
Shelf dimensions									
D	Minimum height shelf from top frame	350	350	350	350	350	350	350	350
E	Depth shelf	150	150	150	150	150	150	150	150
Dimensions of the appliance (mm)									
F	Box width	885	885	885	885	750	750	650	698
G	Box depth	369	366	369	366	397	375	375	338
H	Box height	605	605	605	605	714	715	815	879
I	Frame width	1064	1136	1064	985	815	794	694	740
J	Frame height	678	750	678	599	720	703	803	905
K	Frame thickness	47	57	20	36	16	30	30	144
L	Position flue collar measured from frame	255	255	255	255	257	235	235	196
M	Position flue collar measured from back	111	111	111	111	140	140	140	142
N	Height underside foot to underside frame	17	-20	17	50	8	0	0	?
O	Height underside foot to builders opening	≥ N (=dimensions in the row above)							

table 1

*point A to C have a tolerance of -0 mm and +5 mm.



If the builders' opening is constructed out of non-combustible composition board (Fibrelux) and you install the appliance without a mantel then:

- Ventilate the space above the appliance (min. 1000 mm²).
- Always fit the DC convection set.
- The plaster of the outside has to be resistant to a high temperature. Use therefore the plaster materials especially made for this, to prevent discolouring (min. 100 °C temperature resistant).
- The plaster has to dry for at least 1 day per millimetre plaster. This means that 4 mm plaster has to dry for at least 4 days before the appliance should be used. This is to avoid cracking.

If the appliance is to be fitted against a wall with combustible cladding, the cladding must be removed from the area covered by the surround.

The minimum height from the top surface of the fire to the underside of any shelf made from wood or other combustible materials is as follows:

- For a shelf up to 150 mm deep - Minimum height = 350 mm (fig. 1).
- If the shelf depth is greater than 150 mm add 50 mm to the upper clearance height for every 25 mm increase in shelf depth.
- Side clearance = Minimum distance from the side of the fire frame to combustible material = 150 mm.

4.2 Flue requirements

- The appliance is of the type C11/C31. The appliance will need to be supplied with the approved flue pipes and terminal, it is not possible to supply your own.
- The minimum effective height of the flue system must be 0.5 or 1 meter, depending on the appliance.
- Terminal locations, through the wall as well as through the roof. See figure 3.

Flue routing;

- a horizontal extension with elbows is allowed for a maximum of 6 meters (depending on the type and situation).
- vertical max. 12 meters.

Determine on the base of the table 2 and 3, depending on the type and terminal position, if the desired situation is possible. To establish this you will need to calculate:

- The effective height (this is the real difference in height between the upper side of the appliance and the terminal).
- The total horizontal extension. This is the total horizontal flue length where:
 - each elbow, which is in the horizontal area, counts for 2 meters.
 - each 45-degree bend, which is in the horizontal area, counts for 1 meter.
 - elbows and bends at the transition of horizontal to vertically are not to be counted.
 - the wall mounted terminal counts for 1 meter.

Flue restrictor

If applicable, in the table is also stated the size of a flue restrictor. This restrictor needs to be fitted in the combustion chamber when placing the appliance (see chapter 4.2). Normally the smallest flue restrictor is fitted.

Example calculation 1:

Calculating horizontal extension fig. 2a:

Flue length C + E = 1m + 1m	2 m
Elbows D = 2m	2 m
Total horizontal extension	4 m

Measure or calculate effective height (Hvert)

Flue length A	1 m
Roof mounted terminal	1 m
Total effective height	2 m

When calculating on basis of the Widescreen table nr. 2: It is allowed.
Remove the flue restrictor!

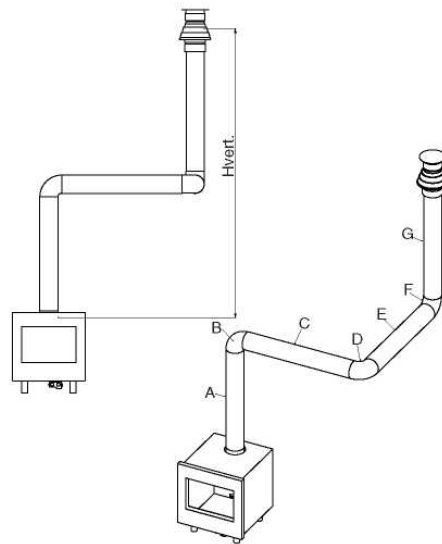


fig. 2a

When calculating on basis of the MV100 table nr. 3: Allowed but without flue restrictor. Remove the flue restrictor!

When calculating on basis of the MV150 table nr. 4: Allowed but without flue restrictor. Remove the flue restrictor!

When calculating on basis of the Roundscreen table nr. 5: Allowed but without flue restrictor. Remove the flue restrictor!

Example calculation 2

Calculation horizontal extension fig. 2b:

Flue length J + L = 0,5 + 0,5	1 m
Elbows K + M = 2m + 2m	4 m
Terminal	1 m
Total horizontal extension	6 m

Calculation effective height (Hvert)

Flue length H	1 m
---------------	-----

When calculating on basis of the Widescreen table nr. 2: Combination not allowed.

When calculating on basis of the MV100 table nr. 3: Allowed but without flue restrictor. Remove the flue restrictor!

When calculating on basis of the MV150 table nr. 4: Combination not allowed.

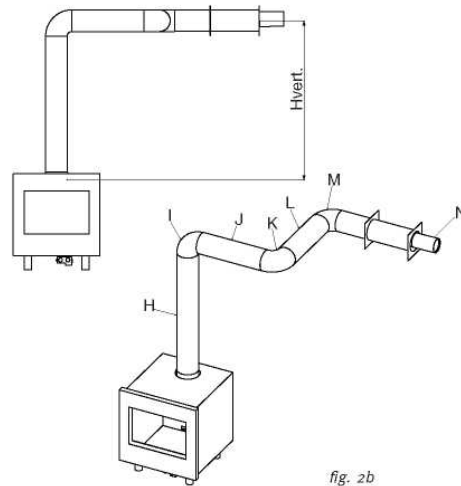


fig. 2b

4.3 Tables for determining the right flue restrictor

Calculate the total horizontal- and vertical length of the flue, according to the calculations displayed above. Determine according to tables 2, 3, 4 and 5 on the following pages the right flue restrictor size. When meeting an X, and when the values are outside the table, the combination is not allowed. **Normally the 30 mm flue restrictor is preinstalled.**

Table 2: Widescreen (Ease (BF100H), Feeling, Silence, Sense)

		Horizontal length in m						
		0	1	2	3	4	5	6
Vertical length in m	0	x	x	x	x	x	x	x
	1	0	0	x	x	x	x	x
	1,5	0	0	0	x	x	x	x
	2	30	30	0	0	x	x	x
	3	45	45	30	0	0	0	x
	4	45	45	30	30	30	0	0
	5	50	50	45	30	30	30	0
	6	50	50	45	30	30	30	0
	7	60	60	50	45	45	30	x
	8	60	60	60	50	50	x	x
	9	65	65	60	60	x	x	x
	10	65	65	65	x	x	x	x
11	65	65	x	x	x	x	x	
12	65	x	x	x	x	x	x	

The numbers in the table represent the width in mm of the flue restrictor

X Combination NOT allowed

0 remove flue restrictor

Table 3: MV100/MV200 (Spectra Nova, Whisper)

		Horizontal length in m						
		0	1	2	3	4	5	6
Vertical length in m	0	X	X	X	X	X	X	X
	1	30	0	0	0	0	0	0/X*
	2	30	30	0	0	0	0	0
	3	45	45	30	0	0	0	0
	4	45	45	30	0	0	0	0
	5	50	50	45	45	30	0	0
	6	50	50	45	45	30	0	0
	7	60	60	60	50	50	45	X
	8	60	60	60	60	50	X	X
	9	65	65	60	60	X	X	X
	10	65	65	65	X	X	X	X
	11	65	65	X	X	X	X	X
12	65	X	X	X	X	X	X	

The numbers in the table represent the width in mm of the flue restrictor

X Combination NOT allowed

0 remove flue restrictor

Tabel 4: binnenwerk MV150 (Cadra Nova)

		Horizontal length in m						
		0	1	2	3	4	5	6
Vertical length in m	0	X	X	X	X	X	X	X
	0,5	X	0	X	X	X	X	X
	1	X	30	0	0	0	0	0
	2	40	30	0	0	0	0	0
	3	40	40	30	0	0	0	0
	4	50	40	40	30	0	0	0
	5	50	50	40	40	30	30	0
	6	50	50	50	40	40	30	0
	7	60	50	50	40	40	40	X
	8	60	60	50	50	50	X	X
	9	60	60	60	50	X	X	X
	10	65	60	60	X	X	X	X
	11	65	65	X	X	X	X	X
12	65	X	X	X	X	X	X	

The numbers in the table represent the width in mm of the flue restrictor

X Combination NOT allowed

0 remove flue restrictor

4.3.1 Terminal position

Verify if the required terminal position meets the local installation regulations regarding disturbance, good functioning and ventilation. (Also see: safety requirements).

Note:

The terminal must be located so that the outlet is not obstructed. If the flue terminal is located within 2 meters of a footway, path or where people could come into contact with it, then a suitable terminal guard must be fitted.

Terminals located close to shared walkways, footpaths etc. could be subject to legal constraints and this should be pointed out to the customer before installation. If in any doubt about flue location advice should be sought from local building control, or if appliance-related, from the manufacturer including wherever possible a dimensioned sketch.

Avoid locating the terminal in close proximity to plastic materials such as gutters or other combustibles. If this is unavoidable then a suitable deflector should be made.

Some important requirements for a good functioning are:

The wall-mounted terminal has to be at least 0,5 m off:

- Corners of the building.
- Below eaves.
- Balcony's etc. unless the duct is dragged to the front side of the overhanging part.

The roof mounted terminal has to be at a distance of at least 0.5 meters of the sides of the roof, excluded the ridge.

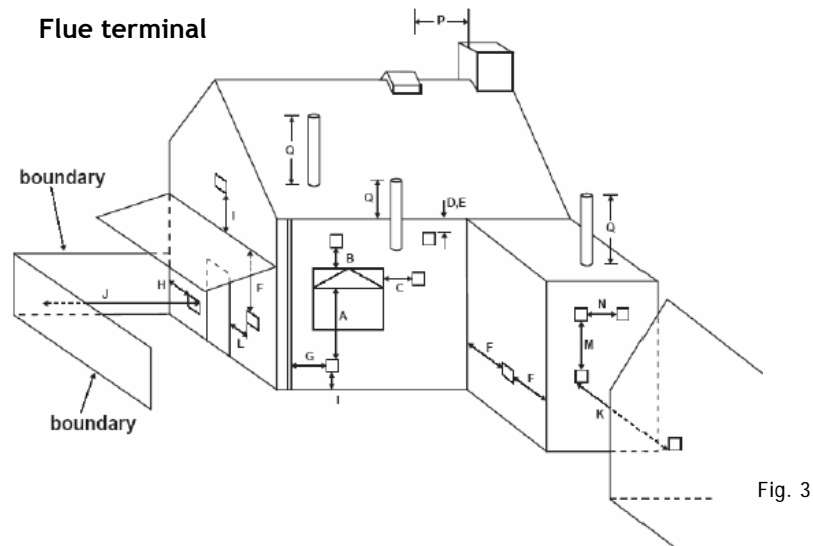


Table 5

Dimension	Terminal position (kW input 7.5 kW expressed in net)	Balanced flue room sealed Natural Draught
A	Direct below an opening, airbrick, opening windows, etc.	300 mm
B	Above an opening, airbrick, opening window, etc.	300 mm
C	Horizontally to an opening, airbrick, opening window, etc.	300 mm
D	Below gutters, soil pipes or drain pipes	500 mm
E	Below eaves	500 mm
F	Below balconies or cat port roof	600 mm
G	From a vertical drain pipe or soil pipe	300 mm
H	Dfrom an internal or external corner	600 mm
I	Above ground roof or balcony level	300 mm
J	From a surface facing the terminal	600 mm
K	From a terminal facing a terminal	600 mm
L	From an opening in the carport (e.g. window) into the dwelling	1200 mm
M	Vertically from a terminal on the same wall	1500 mm
N	Horizontally from a terminal on the same wall	300 mm
P	From a vertical structure on the roof	600 mm
Q	Above intersection with roof	500 mm

Example of how terminal position is measured

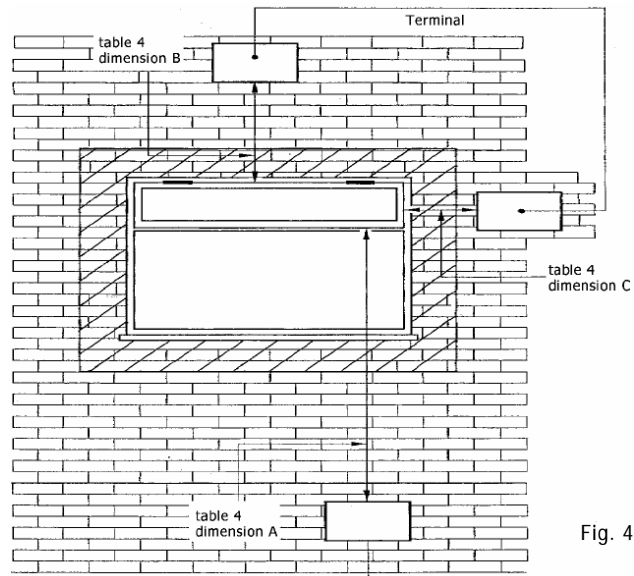


Fig. 4

4.3.2 Using an existing chimney as air inlet

You can connect the appliance onto an existing chimney. The existing chimney then functions as air supply, where a flexible stainless steel liner (to BS715) of 100 mm performs the flue function.

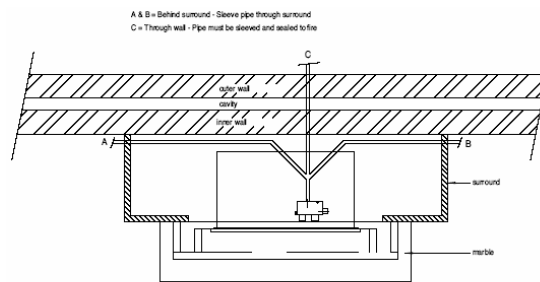
Requirements:

- Any existing chimney used as an air supply must only service this appliance.
- A chimney that has previously been used for solid fuel must be swept before use.
- The existing chimney needs to be airtight.
- The existing chimney needs to have an opening of min. 150 x 150 mm.
- The chimney needs to be intact and well looked after.
- Use the adjustable roof-mounted-terminal especially made for this, and the chimney connection set.
- The min. distance between two terminals should be at least 450 mm.

5 Instructions for installation

5.1 Gas Connection

- 1) Installation pipes should be in accordance with BS 6891. Pipe work from the meter to the appliance must be of adequate size.
- 2) The complete installation including the meter must be tested for soundness and purged as described in the above code.
- 3) A means of isolation must be provided in the supply to facilitate servicing.
- 4) The connection should be made in 8 mm copper or similar semi flexible tube. (max 1 meter). Ensure that the gas pipe does not interfere with the removal or replacement of the burner tray of the controls.
- 5) The gas connection is nut and olive suitable for 8 mm pipe.



gas supply routes when fire is fitted in a deep surround

fig. 5

5.2 Preparing the appliances

Before you can install the appliance properly, it is wise to prepare the appliance, because you still have access to all parts of the appliance. These will be barely reachable once the appliance is installed. In the next paragraphs these preparations will be described for the different models.

5.2.1 Preparing the Sense and the Ease

Pull the underside of the (inner) frame towards you. Push the blocking strips up. Lift the (inner) frame and remove it.

5.2.2 Preparing the Widescreen and MV200

- 1) Open the ashtray door by pushing on the right side for the Silence/Feeling and on the left side for the Whisper. Remove the frame by loosening the screws A behind the door (see fig. 6). Lift and pull forward and take it away.

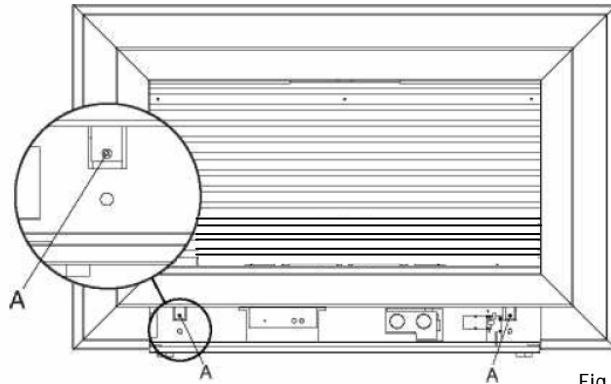


Fig. 6

- 2) Remove the back panel by loosening the screws B (see fig. 7).

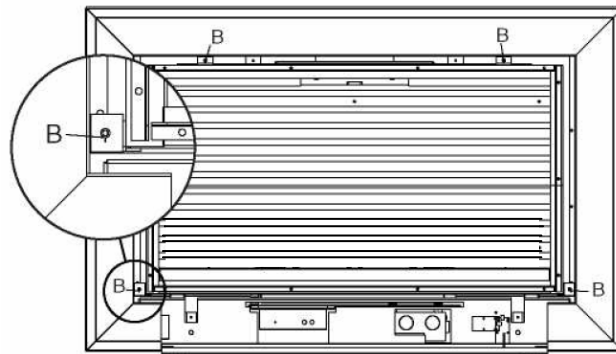


Fig. 7

- 3) Remove the glass by removing the glass clamps C (see fig. 8) for instance with a screwdriver. Careful when removing the glass! Wear gloves! Before placing the glass back, be sure that there are no

fingerprints on the glass, it is not possible to remove them when they

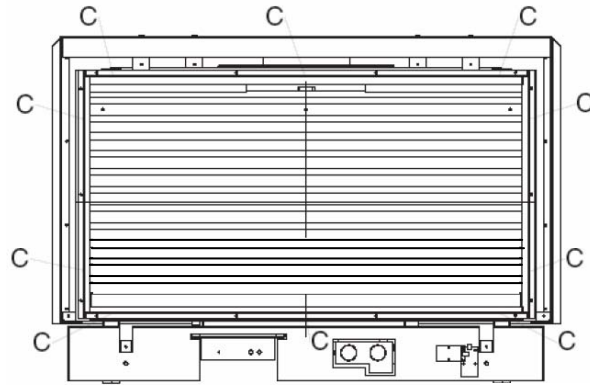


Fig. 8

are burnt in.

- 4) Take the box with the log set out of the combustion chamber.
- 5) Place the right flue restrictor in the combustion chamber. To determine the right flue restrictor, see paragraph 4.2 and 4.3.

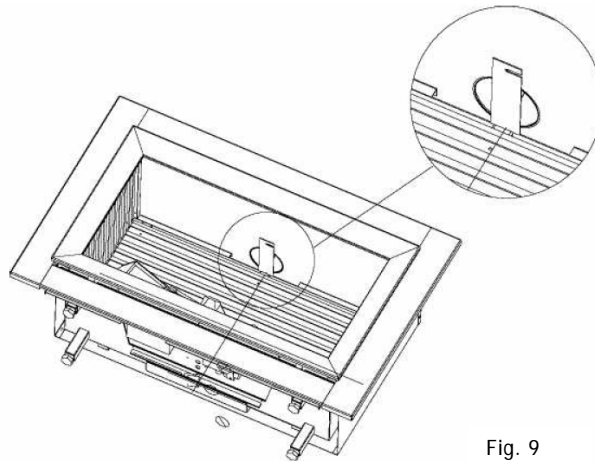


Fig. 9

Attention:

- If possible, first install the appliance before building up the false chimney breast.

- If possible, install the appliance, before installing the flue. If this is not possible, a slidable piece of pipe should be used as a connection.

5.2.3 Preparing the Spectra Nova and Cadra Nova

- 1) To open the door, remove the screws A (see fig. 10). Open and remove the door; lift and pull forward. Be sure that there are no fingerprints on the glass. It is not possible to remove those prints once they are burned in the glass.

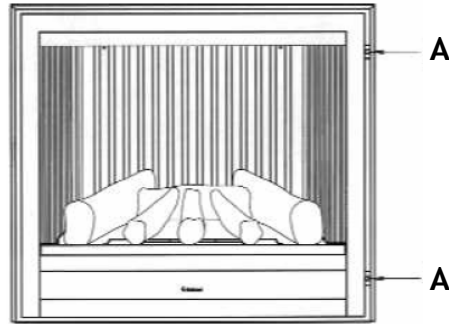


Fig.10

- 2) Remove the outer frame by removing screws B (see fig. 11) and taking away the frame.

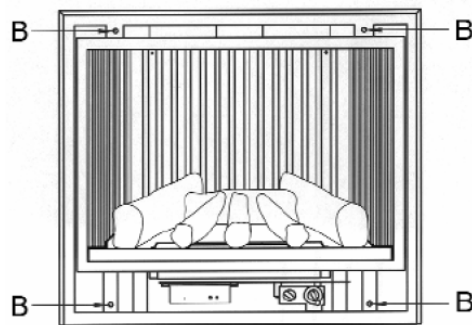


Fig.11

- 3) Take the box with the log set out of the combustion chamber.
- 4) Like in the previous models, place the right flue restrictor in the combustion chamber (see fig. 9). To determine the right flue restrictor, see paragraph 4.2 and 4.3.

Attention:

- If possible, first install the appliance before building up the false chimney breast.
- If possible, install the appliance, before installing the flue. If this is not possible, a slidable piece of pipe should be used as connection.

5.3 Placing the appliance

Points of attention for placement:

- If possible, first place the appliance before assembling the flue.
 - If this is not possible then always use an extendible pipe before connection onto the appliance.
- 1) Position the firebox in the fireplace opening. You can adjust the height with the 4 adjustable feet.
 - 2) Make the gas connection according to the instructions (also see gas connection, chapter 5.1).
 - 3) Assemble the flue system onto the firebox (see chapter 5).
 - 4) Check, when applicable, if the safety hatch seals the combustion chamber properly. Do not fasten it at all! If you fasten it, the explosion safety hatch won't function properly!

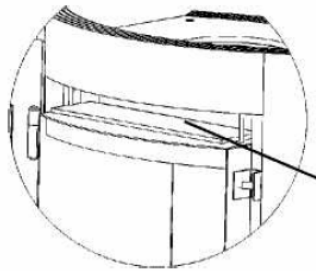


Fig.13: Safety hatch

- 5) If necessary, place the DC convection system (also consult the instruction belonging to the DC construction set).

- 6) If necessary, isolate the firebox with a ceramic blanket (25 mm). Preferred choice for insulation is unbound insulation wool (at 1000 °C gives no smell).
- 7) Place the log set (see placing log set, chapter 5.4).
- 8) Spread, the bags of embers (imitation ashes) provide with the appliance over the burner tray. **Attention!** No embers on the grid end between the logs and the burner tray!
- 9) Before placing the glass; check the glass sealing rope is in good condition and makes an effective seal. Be sure that there are no fingerprints on the glass. It is not possible to remove those prints once they are burned in the glass:
 - Widescreen and Whisper; Place the glass in front of the appliance and fix it with the glass clamps. Replace the frame.
 - Cadra Nova and Spectra Nova: Place the door and fix it. Check on visual leakages around the door sealing.
- 10) Widescreen: Fix the outer frame with 4 screws.

After installation, let the appliance burn for max. an hour. Afterwards, check the glass for possible dirt, dust and other deposit and remove it.

5.4 Placing the log set

Never place extra elements of any kind into the combustion chamber. To guarantee good combustion, the log set may only be installed in the way specified by Faber International BV. Any other arrangement can lead to soot on logs or window. Do not use the fire with broken or missing logs.

5.4.1 Embers

There are 4 different types of imitations ashes provided with the appliance.

Type 1: To spread over the burner to achieve the glowing affect

Type 2: Yellow bark

Type 3: Anthracite bark

Type 4: Vermiculite corn

Type 2, 3 and 4 are only for decoration purpose, don't put them on the burner.

5.4.2 Placing the log set Spectra Nova, Cadra Nova and Whisper

The log set consists of a rear log, which is permanently attached to the combustion chamber, and four logs. The logs must rest on the log holder and the rear log.



Fig 15

Ensure that the pilot burner remains visible after installation of the log set. When not placing the log set correctly, the flames tend to burn to the front against the window.

5.4.3 Placing the log set Feeling, Silence, Sense and Ease

The log set consists of two rear logs and six ceramic logs.



Fig. 16

Put the two rear logs on the tray at the back of the combustion chamber.

Put the others exact as showed on the picture. On the front the logs must lay at the holes, on the back they rest on the rear logs.

5.4.4 Placing the pebble set Ease

Spread the pebbles over the bottom of the combustion chamber. Make sure that the pilot is not covered or blocked by the pebbles. See fig 17 for more details.



Fig. 17

6 *Installation of the flue*

6.1 **Connection with use of concentric duct material**

- 1) Build the system starting from the appliance on.
- 2) Make a hole of \varnothing 153 mm for the wall or roof mounted terminal.
- 3) Make sure you place the pipes in the right direction, the narrow end towards the appliance.
- 4) Make sure the pipes are fixed sufficiently, a wall clamp every 2m, so the weight of the pipes is not resting onto the appliance.
- 5) The outside of the pipe can become hot (140 degrees). Stay 50 mm away from wall surface or sealing. Make sure to provide sufficiently heat resistant isolation when going through the wall or roof.
- 6) Because of expansion or cooling down the concentric pipes can turn loose. It is recommended to fix the spring clip with a self tapping screw at inaccessible places.
- 7) To get the exact measure flue length you can use cut down concentric pipe, wall mounted terminal or roof mounted terminal. To obtain a smoke sealed connection, the inner pipe must be 20 mm longer than the outside pipe.
- 8) The horizontal pipes need to rise away from the appliance at a rate of 3 degrees per metre.

6.2 **Connection onto an existing chimney**

You can connect the appliance onto an existing chimney. The existing chimney then functions as air supply, where a flexible stainless steel liner (to BS715) of 100 mm performs the flue function. Any existing chimney used as an air supply must only service this appliance.

Requirements:

- 300 mm of free space above the appliance;
- The chimney only supply's air to this appliance;

- The existing chimney needs to be clean and very well swept;
- The existing chimney needs to be airtight;
- The existing chimney needs to have an opening of min. 150 x 150 mm.

Parts needed for this kind of installation:

- Chimney connection set part number A9225000 Fig 20 part D.
- Short roof terminal part number A9266100 Fig 19 part B
- Chimney closure plate part number A 9240000 Fig 19 part A
- Two stainless steel tubes one 100 mm - length 500 mm and one 150 mm - length 500 mm part number A 9273900 Fig 19 part E and F

Installation:

- 1) Place the aluminium closure plate (A) onto the chimney. Permanently attach and make airtight.
- 2) Pull the liner (C) through the chimney.
- 3) Connect the liner onto the roof terminal and fix this with the clamp provided with the chimney connection set.
- 4) Place the roof terminal onto the closure plate.
- 5) Fixing the chimney sealing plate (D) and place the 150 mm grommet into the hole of the sealing plate.
- 6) Fix the sealing plate air tight into the builders opening (use isolation rope from the chimney connection set to make the plate air tight).
- 7) Slide pipe (E) 150mm length 500mm into the sealing plate. Slide this pipe so that you have enough space later on to assemble the liner.

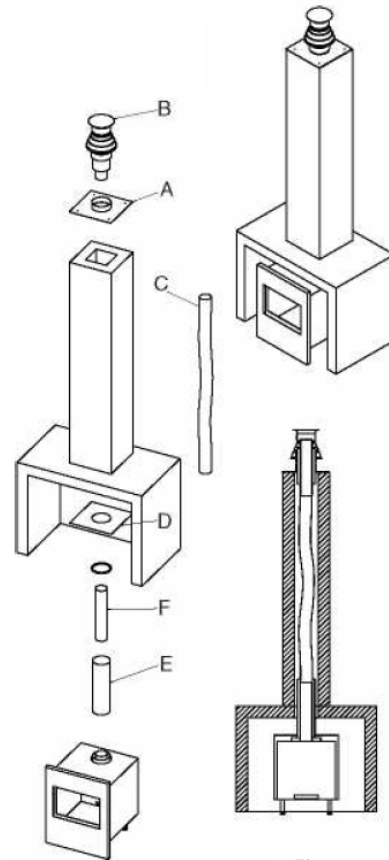


Fig. 18

- 8) Install the appliance.
- 9) Connect the flexible stainless steel liner onto the appliance using the 100mm pipe (F) as adapter.
- 10) If the distance from the flue outlet to the sealing plate is bigger then 300 mm, you have to use a concentric pipe first.
- 11) Slide the outside pipe onto the appliance or concentric extension so that you have a air tight connection.

6.3 Remote control (when applicable)

The remote control is only meant to regulate the flames, it functions only when the pilot burner is ignited. It is therefore not possible to ignited the appliance with the remote control or to shut-off the pilotflame.

The radio-frequency remote control is intended for fireplaces installed in a domestic setting in all EU countries except Austria, Denmark, Finland and Greece.

Features:

- Manual control will always remain possible.
- The remote control is a radio frequency type and has been approved internationally.
- The remote control generates a unique safety code every time you activate the transmitter, its similar to those used in a car.
- The remote control is easy to install retrospectively.

6.3.1 Installation

- 1) Connect the transformer to the receiver box. The adapter is set to the correct voltage in the factory 4.5 V.

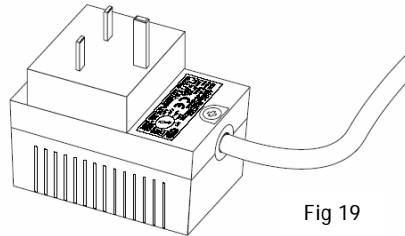


Fig 19

- 2) Slide the receiver box into the holder.
- 3) Connect the wires to the gas control (see fig.20).

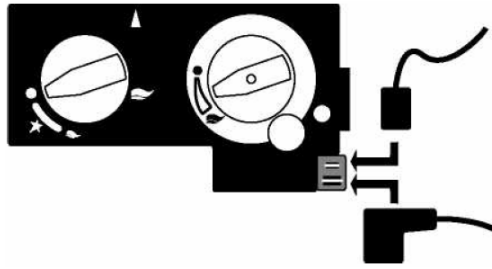


Fig. 20

- 4) Check if there are batteries in the transmitter. See "Replacing batteries", see chapter 10.4.4.
- 5) Set the on/off switch on the receiver to "on".

Setting the right transmission code

The receiver has to learn the code from the transmitter, which is already done at the factory. However the code disappears if the receiver is disconnected from the mains for a longer period.

- 1) Push the "mod" button on the receiver and hold it for 3 seconds.
- 2) The green control lamp will light up and stay on. Repeat this step if it doesn't.
- 3) Push a button on the remote control. The control lamp on the receiver should now go out.
- 4) Again push a button on the remote control. The lamp starts flashing and will switch off eventually.
- 5) The receiver now recognizes the remote control. The remote control now functions.
- 6) Check if you can hear a sound and the motor runs when you push a button on the remote control.

7 Commissioning (functional checks)

7.1 Check pilot ignition

- 1) Push in and turn the control knob (a) from ● anti-clockwise to the setting ◐ (small flame). You will hear a tick, meaning there is ignition. Hold the knob in and wait for a few seconds while the air is purged;
- 2) Bring the knob back in start position and turn the knob several times to the ◐ position. Check if the pilot has lit;
- 3) Continue to hold in the control knob for a further 10 seconds to ensure that the pilot flame is stable;
- 4) Release the knob. The pilot should remain alight. If not, repeat the previous steps.

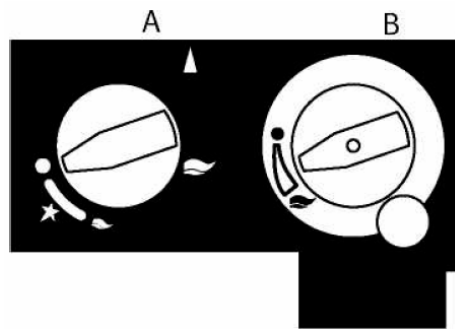


Fig. 21

7.2 Functional burner check

- 1) Turn knob (B) to max. clockwise;
- 2) Turn knob (A) more anticlockwise to the ◐ position (large flame). Now it's possible to light the main burner;
- 3) Turn knob B anticlockwise to its max. The main burner should light. Check for gas soundness at all joints with leak detection fluid.
- 4) Check the ignition of the main burner on low and high setting;
- 5) Turn knob B clockwise till ●. The main burner is off;
- 6) Turn knob A to ●. The pilot should go out.

7.3 Functional balanced flue check

- 1) Set the appliance on max. input;
- 2) Verify the flame picture, this means no flames against the window, the flame have to come besides the logs, if not check the log layout.
- 3) Check if the flames are yellow after 10 minutes of operation. If you still have a blue flame or the appliance goes out check:
 - a) If the flue pipes are fitted correctly (no leakage).
 - b) If the wall mounted terminal is placed with the correct side up.
 - c) If the correct flue restrictor is installed.

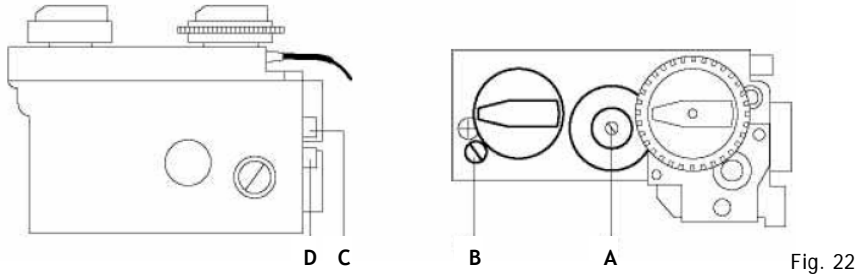


Fig. 22

7.4 Check setting pressure

The appliance is preset to give the correct heat input. No further adjustment is necessary. Fit a pressure gauge at the test point D to check the burner pressure.

The pressure should be checked with the appliance alight and at max input. The setting pressure should be as shown in paragraph 9.4 .

After checking the pressure, turn off the appliance. Remove the pressure gauge and close the sealing screw. Re-light the appliance. Turn to max. input and test around the test point D for gas soundness using a suitable leak detection fluid.

8 *Handing over (final check and customer briefing)*

- Instruct the customer on the full operation of the appliance.
- Advise the customer how to clean the appliance including the glass.
- Instruct the customer on the operation of the remote control, including replacement of batteries and how to set the right transmissions code.
- Hand over these instructions including the user guide to the consumer.
- Recommend that the appliance should be serviced by a competent person at least once a year.

9 Servicing

To ensure safe, efficient operation of the appliance, it is necessary to carry out routine servicing at regular intervals.

It is recommended, that the fire is inspected/serviced by a competent person at least once a year.

Important

Turn off the gas supply before commencing any servicing. Always test for gas soundness after refitting the appliance!

9.1 Routine annual servicing

- 1) Clean (if necessary):
 - a. the pilot system;
 - b. the burner;
 - c. the combustion chamber;
 - d. the glass.
- 2) Check the log lay and replace the embers (if applicable).
- 3) Do the functional test as described at page 32.
- 4) Check the flue system and terminal on damage and soundness (visual inspection).

9.1.1 Cleaning the glass

Depending on the intensity of use, you can get a deposit on the glass. This can be removed with a special ceramic glass cleaner (ceramic cook-top cleaner) as follows:

- 1) Remove the front and the back.
- 2) Clean the glass. Handle the glass with clean hands, wear gloves if possible.
- 3) To fit the glass, proceed in reverse order. Make sure that the log set has been installed correctly before fixing the glass.

Attention:

Before placing the glass: check the glass sealing rope is in good condition and makes an effective seal. Be sure that there are no fingerprints on the

glass. It is not possible to remove those prints after you burn the appliance for a while (they are burnt in). Place the glass in front of the appliance and fix the glass frame or use the glass clamps.

9.1.2 Cleaning the combustion chamber and burner

If the burner is visibly damaged, this can affect the distribution of the flame, if so then replace the burner.

9.1.3 Burner tray assembly

- 1) Remove the front, glass, and log holder (if applicable)
- 2) Break the gas supply at the control valve.
- 3) Unscrew the burner assembly and take them out of the combustion chamber.
- 4) chamber.

Attention! A sharp or heavy object can damage the burner.

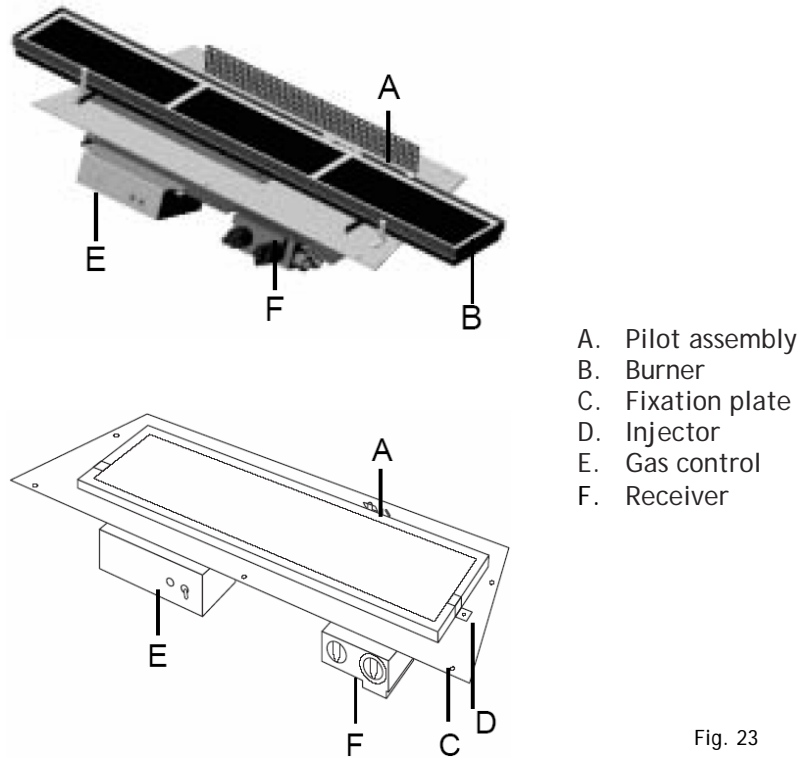


Fig. 23

9.1.4 Pilot/thermocouple assembly

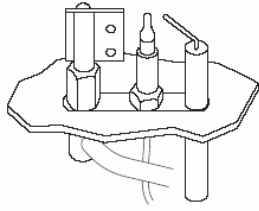


Fig. 24

This is not a serviceable item, both thermocouple and pilot should be replaced together.

Pilot/thermocouple assembly

- 1) Remove the burner tray.
- 2) Remove the lead from the pilot spark igniter.
- 3) Break the gas pipe connection to the pilot.
- 4) Unscrew thermocouple nut from the rear of the gas control.
- 5) Unscrew pilot assembly from the burner tray (2 screws)
- 6) Replace and re-assemble in reverse order.

9.1.5 Gas control block

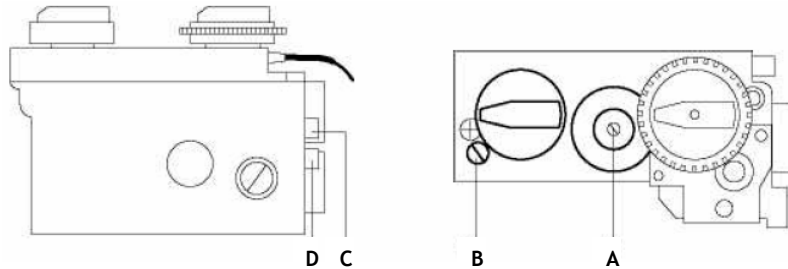


Fig. 25

- A Governor;
- B Adjustable screw pilot flame;
- C Inlet pressure test point ;
- D Burner pressure test point.

9.1.6 Combustion test

A BS7967 combustion analysis check should be carried out using an analyser to BS7927 positioned in the flue outlet.

A Ratio of CO/CO₂ should be less than 0.01 within 30 minutes. (100 ppm CO per 1% CO₂).

A reading of CO in the room centre should give a rise of less than 9ppm over ambient, peak reading.

9.2 Propane conversion

For conversion from propane to natural gas (or the other way around), you have to order a complete new propane burner unit. Contact your supplier and give the serial number from the data plate when you order.

9.3 List of spare parts

Table 6: List of spare parts

	Whisper	Feeling	Sense	Silence	Ease (Bf100 H) FFB	Ease (Bf100 H) PB	Spectra Nova	Cadra Nova
Omschrijving	Number	Number	Number	Number	Number	Number	Number	Number
Surround Antracite	A9271453	A9270053	X	A9267753	20847648	20847648	A9274149	A9274149
Surround St. Steel	X	X	X	X	20848003	20848003	X	X
Surround Bronze:	X	X	X	X	X	X	X	X
- inner frame	X	X	20837393	X	X	X	X	X
- outer frame	X	X	20837493	X	X	X	X	X
Glass	04508200	04508300	04508300	04508300	04508300	04508300	04509500	04509300
Glass operation	X	X	X	X	X	X	09509600	04509400
Burner NG	20521405	20525905	20525705	20525905	20900240	20900241	20521405	20522605
Log set	20773200	20794500	20794500	20794500	20794500	X	20773200	20794500
Pebble set	X	X	X	X	X	20799100	X	X
Spark wire	06017300	06017300	06017300	06017300	06017200	06017200	06017300	06017300
Receiver	20604000	20604000	20604000	20604000	20604000	20604000	20604000	20604000
Remote control	20603900	20603900	20603900	20603900	20603900	20603900	20603900	20603900
Adapter	20900142	20900142	20900142	20900142	20900142	20900142	20900142	20900142
Gas control	37003089	37003089	37003089	37003089	37003089	X	37003089	37003089
Motor Remote control	37003086	37003086	37003086	37003086	37003086	37003086	37003086	37003086
Oxypilot	37001042	37001042	37001042	37001042	37001042	37001042	37001042	37001042
Thermocouple	37002033	37002033	37002033	37002033	37002033	37002033	37002033	37002033
Bougie	06006600	06006600	06006600	06006600	06006600	06006600	06006600	06006600
Embers	20793400	20793400	20793400	20793400	20793400	20793400	20793400	20793400
Lack spray for combustion chamber	09000008	09000008	09000008	09000008	09000008	09000008	09000008	09000008
Lack spray for front	X	X	X	X	09000014	09000014	X	X
Glass clamps	20900008	20900008	20900008	20900008	X	X	X	X
Touch Latch assembly	28103900	28103900	X	28103900	X	X	X	X

9.4 Technical Specifications

Table 7: Technical specifications of the Widescreen, MV100/MV200 and the MV150

Country Category Type		Widescreen (incl. Ease)	MV100 / MV200 Whisper / Spectra Nova	MV150 Cadra Nova
		UK/IRL	UK/IRL	UK/IRL
		I2H C11 of C31	I2H C11 of C31	I2H C11 of C31
Type of gas		G20	G20	G20
Heat input Hi	[kW]	6.1	7,2	6.1
Efficiency class		2	2	2
NOX class		4	4	4
Working pressure	[mbar]	20	20	20
Gas rate				
At 15° C and 1013 mbar	[l/h]	800	640	630
	gram/h		540 gram	
Setting pressure	[mbar]	13	10	10.5
Injector size	[mm]	2.4	2.2	2.2
Reduced input restrictor	[mm]	1.8	1.6	1.6
Pilot Assembly				
Type		Oxy-pilot	Oxy-pilot	Oxy-pilot
Code		9709M NG	9709M NG	9709M NG
Flue system				
Ø MVr	mm	100-150	100-150	100-150
Preinstalled flue restrictor	mm	30	30	30
Gas control Maxitrol GV 36		GV3636- C5AOEHC68M	GV3636- C5AOEHC68M	GV3636- C5AOEHC68M
Remote control				
Voltage adapter	V	4.5	4.5	4.5
Batteries remote control	V	2x 1,5V Alkaline	2x 1,5V Alkaline	2x 1,5V Alkaline
Gasaansluiting		8 mm nut and olive	8 mm nut and olive	8 mm nut and olive
Afmetingen zie tabel1				

[User Manual]

10 Safety instructions for the user

If a gas leak is found or suspected, turn off the gas supply at the meter and contact your installer or gas emergency service.

These instructions should be read carefully and retained for future reference.

Do not use the fire with a broken or damaged glass.

The fire has a safety device which turns off the gas supply if there is a build up from flue gasses in the combustion room or a temporary gas cut-off. **Wait at least 5 minutes before turning the appliance on again.** Contact a qualified installer when the appliance goes off regularly.

The appliance has been designed for heating purposes. This means that all surfaces, including the glass, can become very warm (over 100 °C). An exception to this is the lower side of the door and the control buttons.

Due to the newness of materials, they may give off a slight smell for a period after initial lighting. This is normal, odours will disperse after a few hours use.

Do not place curtains, clothing, laundry, furniture or other flammable materials nearby the appliance. The required minimum distance is 100 cm.

Switch off the receiver of the remote control if you don't use the fire for a long time. Do not let children use the remote control without supervision.

IMPORTANT

A suitable Fireguard conforming to BS6539 and BS6778 should be used with this appliance to protect children, the elderly or infirm. Care should also be taken with pets.

In your own interest and that of safety, all gas appliances must be installed by competent persons. Installation must be in accordance with National Regulations. CORGI registered installers are required to work to recognised standards.

Note:

Since the appliance is a source of heat, circulation of air occurs. Therefore it is of importance that you do not use the appliance shortly after a renovation of the home. Because of the natural circulation of air, moist and volatile components from paint, building materials, carpet etc. will be attracted. These components can settle themselves down onto cold surfaces in the form of soot. As on all heat producing appliances, soft furnishings such as blown vinyl wallpaper placed too near to the appliance may become scorched or discoloured. This should be born in mind when installing the appliance.

11 Controlling the appliance

11.1 Lighting the fire

If the main burner or pilot light are extinguished for any reason, **do not attempt to relight the pilot within 5 minutes**. Contact a qualified installer when the appliance goes off regularly.

The control valve is behind the ashtray door.

Silence /Feeling /Whisper

Open the ashtray door by pushing on the right side for the Silence/Feeling and on the left side for the Whisper.

Sense (remote control only)

Access to the controls by pulling the inner frame forwards.

Cadra Nova and Spectra Nova

Open by pushing the lip located on the right side in the gap between the

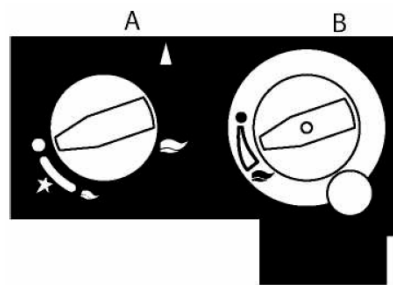


Fig. 26


ashtray door and the frame (door flaps open).

With control button A you can light the pilot. With the control button B you can adjust the height of the flames (see fig. 26).


Knob A

The ● is the OFF position preventing any gas from passing through the control valve to either the pilot burner or to the main burner. By pressing the knob in it is possible to turn it anticlockwise. The first function is to turn on the gas to the pilot- this occurs just before reaching the ★




position (if the fire has not been lit for some time it may be necessary to hold the knob in this position for some seconds to clear the air from the pipe and allow gas to reach the pilot burner). Once gas is available at the pilot, continued rotation anti-clockwise will cause the piezo igniter to spark. This is accompanied by a click at the valve and should result in the pilot burner igniting. Once the pilot is lit, the control

knob should be held pressed in for 10 seconds. In this time the pilot flame will have heated the flame supervision thermocouple sufficiently to operate a hold-on magnet within the valve. Now turn the control knob A to the  position. This allows gas to enter control knob B.



Knob B

The  is the OFF position preventing gas entering the main burner if the pilot is lit. The knob should be turned slowly anticlockwise. This allows gas to enter the burner and be ignited by the pilot flame. Once ignition has taken place, the fire may be set to any level between min. and max. by adjusting the control knob B.

11.2 To light

- 1) Push in and turn the control knob (A) from  anticlockwise to the setting  (small flame). You will hear a ignition click. Check that the pilot is lit (if not repeat).
- 2) Continue to hold in the control knob for a further ten seconds to ensure that the pilot flame is stable.
- 3) Release the knob. The pilot should remain alight.
- 4) Turn the control knob A to the  position.
- 5) Turn knob B slowly anticlockwise, the fire should then ignite.
- 6) Adjust flames to the required level.

11.3 To extinguish

- 1) For the main burner turn the control knob B clockwise to position .
- 2) To disable knob B turn knob A to the position .

- 3) To extinguish the pilot turn control knob A to position ●, although it is in order to leave the pilot permanently lit.

When the pilot extinguishes

Warning! When the pilot extinguishes, for whatever reason, you should wait at least 5 minutes before trying to turn it on again.

Possible causes of pilot extinguish are:

- Operating error.
- Interference of the safety device.
- Failure in the pilot flame system.

Contact a qualified installer when the appliance goes off regularly.

11.4 Remote Control (when applicable)

The remote control is only meant to regulate the flames from off till max. It functions only when the pilot burner is ignited and knob A is in 🔥 (big flame) position. It is therefore not possible to ignite the pilot flame with the remote control or to extinguish the pilot flame. The radio-frequency remote control is intended for fireplaces installed in a domestic setting in all EU countries except Austria, Denmark, Finland, and Greece.

Features:

- Manual control will always remain possible.
- The remote control is a radio frequency type and had been approved internationally.
- The remote control generates a unique safety code every time you activate the transmitter, its similar to those used in a car.
- The remote control is easy to install retrospectively.

11.4.1 To light

- 1) Push in and turn the control knob (A) from { anticlockwise to the setting (small flame). You will hear a ignition click. Check that the pilot is lit (if not repeat).



Fig. 27

- 2) Continue to hold in the control knob for a further ten seconds to ensure that the pilot flame is stable.
- 3) Release the knob. The pilot should remain alight.
- 4) Turn the control knob A to the position.
- 5) Set the on/off switch on the receiver to "on".
 - low flame 🔥
 - high flame 🔥🔥
- 6) Use the 🔥 and 🔥 buttons to achieve the desired heating and flame effect.
- 7) You will hear a beep every time the receiver recognises a good signal. (If not, so see 10.4.3, setting the right transmission code).
- 8) When the fire is not be used for a prolonged period, turn off the pilot (see 10.4.2)

11.4.2 To extinguish

- 1) Push 🔥 (low) till the burner goes out and you can hear the motor clicking.
- 2) To enable the remote control turn knob A to the 🔥 position.
- 3) To extinguish the pilot turn control knob A to position 🔥, although it is in order to leave the pilot permanently lit.

11.4.3 Setting the right transmission code

The receiver has to learn the code from the transmitter, which is already done at the factory. However the code disappears if the receiver is disconnected from the mains for a longer period.

- 1) Set the on/off switch on the receiver to "on".
- 2) Push the "mod" button on the receiver and hold it for 3 seconds.
- 3) The green control lamp will light up and stay on. Repeat this step if it doesn't.

- 4) Push a button on the remote control. The control lamp on the receiver should now go out.
- 5) Again push a button on the remote control. The lamp starts flashing and will switch off eventually.
- 6) The receiver now recognizes the remote control. The remote control now functions.
- 7) Check if you can hear a sound and the motor runs when you push a button on the remote control.

11.4.4 Changing batteries

There is no risk of electric shock as the low voltage supply is similar to that used in torches. Always turn off the appliance before changing batteries.

Remote control

- 1) Remove the cover on the back of the remote control.
- 2) Carefully remove the battery clip along the side. Pay attention not to pull the wires.
- 3) If necessary, remove the old batteries and place the new ones: 2x LR03 Alkaline long life 1.5 V.
- 4) Click the battery clip into the remote control and close the cover.
- 5) It might be possible that you have to set the transmission code after changing the batteries (see 10.4.3).

Note

Batteries are chemical waste and should be disposed in accordance with local regulations.

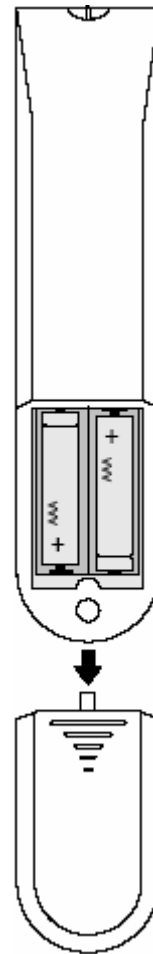


Fig. 28

12 Cleaning and service instructions

Important:

Turn off the fire and allow it to cool down before commencing cleaning.

It is recommended that the fire is inspected/serviced, by a competent person at least once a year.

To maintain the finish on the trim wipe with soft damp cloth only. Do not use abrasive cleaners, polish or solvents as these can damage the surface finish.

13 Disposal of packaging and appliance

The appliance packaging is recyclable. The packaging could include the following materials:

- cardboard;
- CFC-free foam (soft);
- wood;
- plastic;
- paper.

These materials should be disposed responsibly and in conformity with government regulations.

Batteries are considered chemical waste. The batteries should be disposed of responsibly and in conformity with government regulations. Remove the batteries before disposing of the remote control.

Information on how to responsibly dispose of discarded appliances can be obtained from the local authorities.



Saturnus 8 NL - 8448 CC Heerenveen

P.O. Box 219 NL - 8440 AE Heerenveen

T. +31(0)513 656500

F. +31(0)513 656501